



**Bright ideas for
beautiful kitchens.**







Editorial



A kitchen is far more than just the room you cook in. A kitchen today, is designed in a more open and generous manner; after all, it should be an open area for all family and friends to enjoy. No wonder the kitchen has evolved to become an indicator of good taste and style.

Not only is it important to incorporate taste and sophisticated kitchen fittings into kitchen design, but most of all, functionality and quality. Kesseböhmer products enable substantially more storage space and overview in a manner to enthrall every user. Here opening a cabinet door becomes an emotional experience. You will see this for yourself!

After all, a demanding design and high quality finish represent the main advantage Kesseböhmer can refer to in excess of the ingenious functionality. Add to that optimal space utilization, Kesseböhmer provides for substantially more space in the cabinets compared to most traditional systems. Last but not least, the name Kesseböhmer guarantees unparalleled user comfort and an unmatched quality, setting the standards world wide.



Seasoned ideas. In a kitchen, form follows function, follows fashion – and vice versa. Those who enjoy eating good food, cooking and entertaining, expect far more from their kitchen than just an oven, a sink and a fridge. People spend a lot of time in their kitchens and they now fill a large space in people's homes. A dream kitchen is an investment in a higher quality of life. Many previously undiscovered possibilities will be revealed across the following pages.



We make more of any kitchen. Behind closed cabinet doors we have revolutionised the storage systems. We create space and order, and ensure that crockery and glasses, pots and pans, supplies and equipment are easily found and accessible. By doing so we increase the convenience in the kitchen, rendering it more effective, yet we also ensure users will have even more fun cooking. Even though our highly developed technology is mostly hidden we set great standards with elegant design, fine materials, high quality manufacturing and individual diversity. Every detail is pure enjoyment!



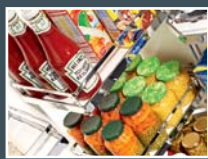
Contents



ARENA

Fine design perfectly crafted

12



Pantries

Perfect storage

16



Corner Cabinets

Easily loaded from the top

30



Base Cabinets

Good ideas fit in everywhere

42



Lift fittings

The new freedom of high cabinets

52



Specifications

Features, Dimensions and Drawings

58

ARENA

Fine design perfectly crafted. ARENA by Kesseböhmer opens up various possibilities for elegantly designing the complete interior trim of a kitchen – available in two design varieties. ARENA Style, which was awarded the Red Dot Design Award in 2007, emphasizes the purist style of modern, straight-lined kitchens. On the other hand, ARENA Classic was developed for more traditional kitchens. Both series are closely related due to their common construction: The decorative wooden base is connected solidly with an elegant railing in a practically invisible manner, forming the solid basis for many innovative ideas ...



HÄFELE



reddot design award



ARENA

Welcome to the silent kitchen. ARENA AntiSlip has many advantages. For instance, it provides a pleasant and peaceful kitchen environment. After all, everything it supports is absolutely skid-proof. No collisions, no pattering, no clanking. This AntiSlip coating is even completely invisible. It combines perfectly with SoftStopp, ensuring that cabinet doors close softly and silently. Cutting edge differential sliding rails provide for silently gliding pull outs at the same time.



**Believe what you see,
as you will hear nothing!**

Dispensa Pull Out Pantry

Perfect storage. The individually suspended and adjustable shelves make the Dispensa Pull Out Pantry a flexible space miracle. In this manner, the high cabinet is fully utilized in width and height. This also creates space, order and overview. Thanks to the railing, everything remains visible, even on the top shelves and from the sides!



**Complete organisation provides
clear view of the contents.**



ORO
Tomato
Tomato
Tomato

Barilla
LA COLLEZIONE
TAGLIATELLE
HEINZ
TOMATO
KETCHUP
CRISSINI

BERTOLLI
MIRACOLI
SPAGHETTI

Brandt
Korn
SAUCE
Dessert

Kellogg's
CORN
FLAKES
Die Originalen
Guten Morgen-Lessung
500g
Nestlé
MILCH
Vestibé

Miracoli
SPAGHETTI
BERTOLLI
Olio
Olive
Buttoli



Dispensa Pull Out Pantry

The pantry consumes minimum space. Not an inch is wasted. The Dispensa Pull Out Pantry lets up to 100 kg softly glide out of the cabinet. It is easily mounted, requires no maintenance and can be cleaned without problems. You just can't fit more advantages into a cabinet!



Touch Control



Simply automatic: No matter where you tap it - The DISPENSA pantry unit opens automatically. A single, targeted tap activates the drive and the pantry unit glides smoothly and silently out of the cabinet. Safe (and childproof) operation is thus guaranteed and unintentional opening is prevented.

Simply straightforward: Installation is a snap. The TouchControl-Sensor is simply clipped onto the runner system and the space-saving electric motor placed next to it. All that is required of the furniture is an opening in the cabinet base for the electrical connection. This means it can be installed in any standard cabinet. Retrofitting is also possible.

Simply convenient: Fully loaded or not - The DISPENSA pantry unit will always slide smoothly and quietly out of the cabinet. The drive control reacts flexibly to different loadings. If the front has an additional handle, the drive will also support a pull-out movement.



**Electric door opener for
Dispensa pantry units.**

The whole cabinet front is the "tap trigger"

Ideal for cabinets with handleless fronts

Storage space is fully retained

Drive also supports pull-out movement

The drive adapts to the loading situation

Sensor prevents unintended triggering

Dispensa Swing Pantry

Introducing even more motion into the kitchen. Besides the adjustable shelves, the railing for prime visibility and full usage of the cabinet width, Dispensa Swing Pantry offers a very special attraction: When retracted completely, it can be rotated 90° around its own axis. With this feature, both sides can simply be turned to the front when needed. Optimum view and everything is at hand immediately!





An unparalleled
supply cabinet.



Tandem Pantry

Two cabinets behind one door. Tandem offers completely new storage options for kitchen supplies – and much more! Opening the cabinet door will trigger one of those thrilling light-bulb moments. Utilising an intelligent pull out technology, the shelves at the rear will automatically come forward. Hence, this piece of furniture is astonishingly well arranged, and all supplies are perfectly accessible. Even the door shelves offer abundant storage space!



**We have reinvented
the supply cabinet.**

Tandem Pantry

Diversity is integrated. Tandem was developed for 45, 50 and 60 centimetre cabinets. As most customers cannot get enough of this ingenious system, they can also be integrated into one cabinet twice. Tandem Depot is thus available in widths of 90, 100 and 120 centimetres. Just as practical as the Tandem with twice as much space - Incomparably impressive!



**Four cabinets
behind two doors.**



Gallo
Arborio
RISOTTI GROSSI PER RISOTTI

Scotti
RISOTTO
ITALIANA
CARNAROLI
Wahl geeignet: Auch geeignet
Mit Spargel - Cole castagnon
Coni spargel
3-4
300g

HEINZ
57
TOMATO KETCHUP

Heinz
ERBICKENE BOHNEN
IN TOMATENSAUCE

DE CECCO
dal 1857
DE CECCO
Semola di grano duro
rimacinata - 175g



Pantry Pull Out

Two pull outs, one theme. To the left, the coffee, sugar and milk, to the right the cups – or vice versa. With the high cabinet systems by Kesseböhmer, theme cabinets can be created stocked to suit special individual requirements. Pantry Pull Out units may be used in high cabinets or base cabinets - no difference.



**Enjoy the simplicity of
everything in its place!**



LeMans

Easily loaded from the top. Le Mans is the only corner cabinet solution to combine an extremely high degree of space utilisation with perfect perspective of the contents. No wonder; after all, the shelves swing all the way out of the cabinet. Not only will all pots and pans find a place in there – every single one of them will also be easily accessible. Each LeMans shelf can be moved independently of the others.



All pots in a corner cabinet, and all of them attainable!

LeMans

The shelves are elegantly curved like the legendary race track with the same name, and every one of them is manufactured as a unique copy. The most remarkable thing about them is, that they are capable of swinging – nearly floating – all the way out of the corner cabinet in a dynamically curved movement. You will feel the ease and comfort of accessibility every time you reach for a pot or pan. The LeMans-Design was awarded the Red Dot Design Award in 2005.



red dot design award





**Swivels around
tight corners!**

LeMans Highboard

An invention to inspire inventiveness. Depending upon individual needs, the LeMans shelves can be placed in the cabinet at the users discretion - two, three or even four shelves. This yields unheard of possibilities for kitchen design and equipment. The LeMans Highboard is a fine example of how the elegant ARENA look can even transform simple crockery cabinets into fascinating high-end storage solutions.







MagicCorner

The name says it all. This has less to do with magic than with cleverness and technical refinement! MagicCorner is capable of housing two complete cabinet units beside each other in only one corner cabinet. With one movement, the intelligent sliding technology simultaneously drives the front and the pull out rack into the user's viewing and access area. As one would expect of Kesseböhmer, this occurs in a flowing, silent train of motion. Closing of the cabinet nearly functions by itself. A small push is sufficient – then SoftStopp takes care of closing. Quiet and smooth.



**Positively doesn't mind
standing in the corner!**



Revo 90

Innovative Technology in a classical solution. A newly developed control mechanism enables a smooth train of motion through all phases – from the soft retraction of the doors and the elegant rotation to the automatic closing movement. Thanks to the rotation absorber and REVOfit, this becomes an individual experience. With one simple hand movement, the closing speed can be toollessly adjusted thanks to the REVOfit. With continuously adjustable shelves, an optimal utilisation of space is provided for. In order to make even more space available, a third shelf can be assembled without any problems.



**The round solution
for corner cabinets.**



Carousel 270

The established revolving cabinet principle in a fine ARENA look. The combination of a decorative wooden base and an elegant railing lends new accents, even to this classical corner cabinet solution. Yet practical aspects don't miss out either: The shelves can be adjusted to any height at any time.



**Our designers know all
the twists and turns!**



No. 15

Good ideas fit in everywhere. With its Kesseböhmer pull out fitting, the No. 15 cabinet is much more than just a welcome filler. When placed by the oven, the No. 15 pull outs are a convenient solution for spices, a baking tray or the indispensable towel. The high quality chrome equipment lends even these smallest cabinets in the kitchen that special touch of elegance.



**No. 15 pull out. Great
for small spaces, nooks
and crannies.**



Base Unit Pull Out COMFORT

Small in size – great in value! With diverse shelves, the Base Unit Pullout COMFORT can be perfectly adjusted to the user's wishes and needs. Even the desires of kitchen professionals are catered for with this flexible cabinet that offers different widths, simple assembly and perfect absorption. The continuity of the kitchen is provided for, and the value of the interior equipment is emphasised by the covered sliding technology.



**Size isn't important –
technology is!**

Bread & Comfort

The simplest solutions are often the best ones. The provisions of everyday life sometimes put our kitchens to the test. For example bread. The Kesseböhmer solution for this is a comfortable pull out with a tough linen bag, which stores loaves of bread perfectly. In addition, drinks and other supplies find an ideal home here.







Dispensa Junior

One pull out – 1,000 possibilities. The modular design and the different widths, ranging from 300 millimetres to 600 millimetres, lend this pull out its versatility. Mounted to the floor, the stable middle column can be equipped with different baskets and shelves. Whatever you wish to store - bottles, cans or other provisions – Dispensa Junior can take up to 40 items due to its extremely stable sliding system.





Front and Internal Pull Out

Practical pull outs in a fine design. Whether as a front or internal pull out: Kesseböhmer interior equipment combines practical benefits with cutting edge sliding technology and an incomparable design. A must in every ARENA kitchen.



Softlift

The new freedom of high cabinets. The especially stable fitting supports the trend towards large-area, one-piece fronts. In a soft and harmonious motion, it lifts into its end position and even surmounts possible obstructions such as canopies or crown mouldings.





Full view over
the entire front.

EWIVA

Combining the beautiful with the practical. It opens and closes, softly. The EWIVA is made especially for high cabinets - for appliances such as the microwave. Thanks to the especially small width loss, enough space remains for diverse appliances. The special design of the lever arms guarantees maximum protection against fingers being squeezed. For rapid assembly, this piece of furniture provides tool-free front adjustment, a clipable front and a connection strut that can be retrofitted.







Portero

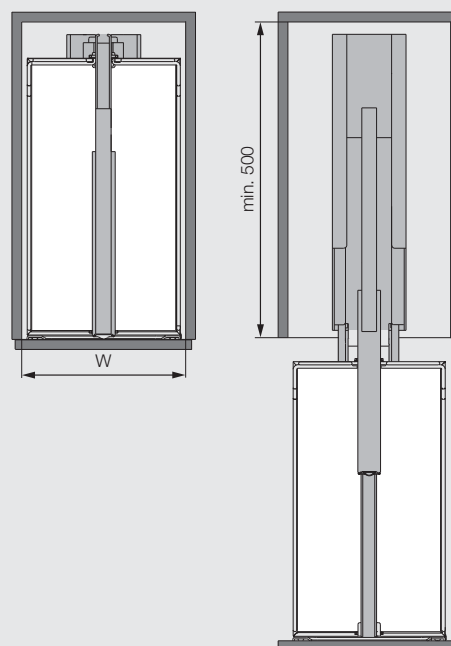
Pleasant cleaning. All cleaning detergents in one pull out. The pivoted baskets provide perfect accessibility. The special feature: The integrated service station, which can be removed with one hand movement, comes in three sizes. The removable plastic trays can even be cleaned in the dishwasher.



Dispensa Pull Out Pantry

Features and Benefits:

- Can be used for cabinets with an external width of 300 or 400 mm
- High flexibility for different cabinet heights due to adjustable frame
- Fast assembly system
- Front mounted to pull-out
- Includes SoftStopp Plus damper package
- Complete sets with three equipment variants available
- Load capacity: max. 100 kg
- LGA-certified



Set ARENA Style

All components in brilliant white; trays ARENA Style: gallery bright chrome, bottom "Ice White" with AntiSlip Coating

inside cabinet height (mm)		inside cabinet width (W) min. 260	inside cabinet width (W) min. 360
	number of trays	set no.	set no.
1200-1600	4	546.71.629	546.71.639
1600-2000	5	546.71.649	546.71.659
1900-2300	6	546.71.669	546.71.679
	dimensions of trays	250 x 462 x 106	350 x 462 x 106



Set ARENA Classic

All components in silver; trays ARENA Classic: gallery bright chrome, bottom "Standard White" with AntiSlip Coating

inside cabinet height (mm)		inside cabinet width (W) min. 260	inside cabinet width (W) min. 360
	number of trays	set no.	set no.
1200-1600	4	546.71.229	546.71.239
1600-2000	5	546.71.249	546.71.259
1900-2300	6	546.71.269	546.71.279
	dimensions of trays	250 x 462 x 106	350 x 462 x 106



Set Wire Baskets

All components in silver; baskets: bright chrome

inside cabinet height (mm)		inside cabinet width (W) min. 260	inside cabinet width (W) min. 360
	number of baskets	set no.	set no.
1200-1600	4	546.71.226	546.71.236
1600-2000	5	546.71.246	546.71.256
1900-2300	6	546.71.266	546.71.276
	dimensions of baskets	250 x 467 x 110	350 x 467 x 110



Set components complete with runner, frame, front strips, front brackets and trays/baskets
Incl. damping system SoftStopp Plus
Max. load capacity = 100 kg

TouchControl

Finish	Cat No.
White	546.72.781
Silver	546.72.281

TouchControl

Just a light touch is all – and the DISPENSA pull-out Pantry opens all by itself. The TouchControl electric door opening system responds to signals anywhere on the front. The motor slowly starts up and accelerates the DISPENSA so that it opens safely – even with a full load. TouchControl is extremely easy to fit, and can be added to the pull-out Pantry unit at any time.

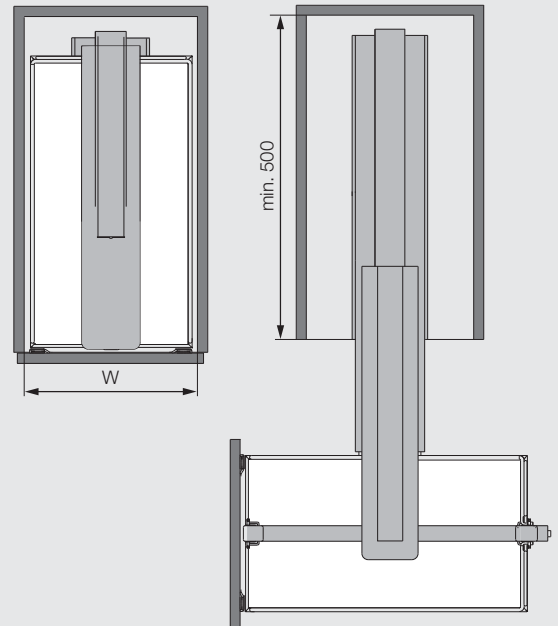




Dispensa Swing Pantry

Features and Benefits:

- Also suitable for use at the end of a kitchen
- Can be used for cabinets with an external width of 300 or 400 mm
- High flexibility for different cabinet heights due to adjustable frame
- Front mounted to pull-out
- Includes SoftStopp Plus damper package
- Complete sets with three equipment variants available
- Load capacity: max. 70 kg
- LGA-certified



Set ARENA Style

All components in brilliant white; trays ARENA Style: gallery bright chrome, bottom "Ice White" with AntiSlip Coating

inside cabinet height (mm)		inside cabinet width (W) min. 260	inside cabinet width (W) min. 360
	number of trays	set no.	set no.
1200-1400	4	546.69.676	546.69.686
1400-1600	4	546.69.677	546.69.687
1600-1800	5	546.69.678	546.69.688
1800-2000	6	546.69.679	546.69.689
2000-2200	6	546.69.680	546.69.690
dimensions of trays		250 x 462 x 106	350 x 462 x 106



Set ARENA Classic

All components in silver; trays ARENA Classic: gallery bright chrome, bottom "Standard White" with AntiSlip Coating

inside cabinet height (mm)		inside cabinet width (W) min. 260	inside cabinet width (W) min. 360
	number of trays	set no.	set no.
1200-1400	4	546.69.276	546.69.286
1400-1600	4	546.69.277	546.69.287
1600-1800	5	546.69.278	546.69.288
1800-2000	6	546.69.279	546.69.289
2000-2200	6	546.69.280	546.69.290
dimensions of trays		250 x 462 x 106	350 x 462 x 106



Set Wire Baskets

All components in silver; baskets: bright chrome

inside cabinet height (mm)		inside cabinet width (W) min. 260	inside cabinet width (W) min. 360
	number of baskets	set no.	set no.
1200-1400	4	546.69.301	546.69.321
1400-1600	4	546.69.302	546.69.322
1600-1800	5	546.69.303	546.69.323
1800-2000	6	546.69.304	546.69.324
2000-2200	6	546.69.305	546.69.325
dimensions of baskets		250 x 467 x 110	350 x 467 x 110



Set components complete with runner, frame, front strips, front brackets and trays/baskets

Incl. damping system SoftStopp Plus

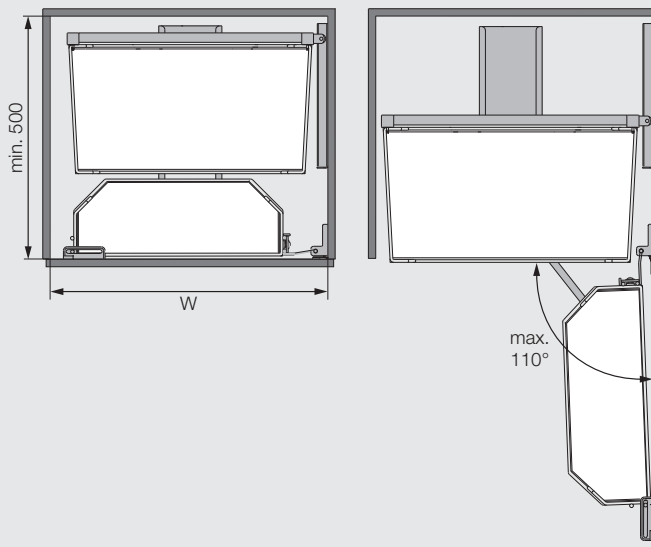
Max. load capacity = 70 kg



Tandem Pantry

Features and Benefits:

- Can be used for cabinets with a width between 450 and 600 mm
- Can be used as a “tandem depot” for cabinets with a width between 900 and 1200 mm
- Independent of cabinet height due to side frame assembly
- Assembly behind hinged doors
- Shelves/baskets must be hooked up beneath the hinges.
- Includes SoftStopp Plus damper package
- Complete sets with three equipment variants available
- Max. load capacity:
 Door rack 45 and 50 cm cabinet: 20 kg
 Door rack 60 cm cabinet: 25 kg
 Pull-out rack 45 and 50 cm cabinet: max. 50 kg
 Pull-out rack: max. 60 kg
- LGA-certified



Set ARENA Style

All components in brilliant white; trays ARENA Style: gallery bright chrome, bottom “Ice White” with AntiSlip Coating

inside cabinet height (mm)		inside cabinet width (W) min. 412	inside cabinet width (W) min. 462	inside cabinet width (W) min. 562
	number of trays	set no.	set no.	set no.
≥ 1100	each 4	545.94.611	545.94.631	545.94.651
≥ 1700	each 6	545.94.612	545.94.632	545.94.652
	dimensions of trays	383 x 275 x 88	433 x 275 x 88	518 x 275 x 88



Set ARENA Classic

All components in silver; trays ARENA Classic: gallery bright chrome, bottom “Standard White” with AntiSlip Coating

inside cabinet height (mm)		inside cabinet width (W) min. 412	inside cabinet width (W) min. 462	inside cabinet width (W) min. 562
	number of trays	set no.	set no.	set no.
≥ 1100	each 4	545.94.111	545.94.131	545.94.151
≥ 1700	each 6	545.94.112	545.94.132	545.94.152
	dimensions of trays	383 x 275 x 88	433 x 275 x 88	518 x 275 x 88



Set Wire Baskets

All components in silver; baskets bright chrome

inside cabinet height (mm)		inside cabinet width (W) min. 412	inside cabinet width (W) min. 462	inside cabinet width (W) min. 562
	number of baskets	set no.	set no.	set no.
≥ 1100	each 4	545.94.101	545.94.121	545.94.141
≥ 1700	each 6	545.94.102	545.94.122	545.94.142
	dimensions of baskets	368 x 275 x 80	418 x 275 x 80	518 x 275 x 80



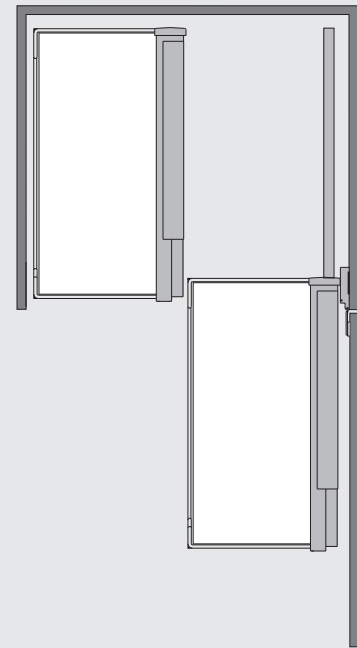
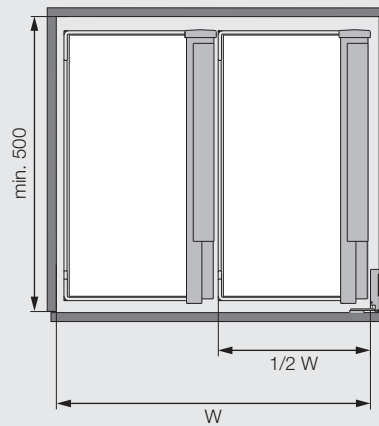
Set components complete with runner, pull-out frame, trays/basket and doorshef (trays/baskets)
 Incl. damping system SoftStopp Plus
 Max. load capacity rear shelf = 50 kg (60 kg)
 Max. load capacity front shelf = 20 kg (25 kg)



Pantry Pull Out

Features and Benefits:

- For use in the top area of pantry units
- Allows easy access even to items right at the back
- Includes SoftStopp damper package
- Can be mounted on the left or right side



Set ARENA Style

All components in brilliant white;
trays ARENA Style: gallery bright chrome, bottom "Ice White" with AntiSlip Coating

inside cabinet height (mm)		inside cabinet width (W) min. 405	inside cabinet width (W) min. 540	inside cabinet width (W) min. 675
	number of trays	set no.	set no.	set no.
870	3	545.78.631	545.78.651	545.78.671
	dimensions of trays	160 x 470 x 88	228 x 470 x 88	295 x 470 x 88



Set ARENA Classic

All components in silver;
trays ARENA Classic: gallery bright chrome, bottom "Standard White" with AntiSlip Coating

inside cabinet height (mm)		inside cabinet width (W) min. 405	inside cabinet width (W) min. 540	inside cabinet width (W) min. 675
	number of trays	set no.	set no.	set no.
870	3	545.78.331	545.78.351	545.78.371
	dimensions of trays	160 x 470 x 88	228 x 470 x 88	295 x 470 x 88



Set Wire Baskets

All components in silver;
baskets: bright chrome

inside cabinet height (mm)		inside cabinet width (W) min. 405	inside cabinet width (W) min. 540	inside cabinet width (W) min. 675
	number of baskets	set no.	set no.	set no.
870	3	545.78.330	545.78.350	545.78.370
	dimensions of baskets	160 x 470 x 75	210 x 470 x 75	295 x 470 x 75



Set components complete with runner, frame and trays/baskets
Max. load capacity of the frame = 20 kg

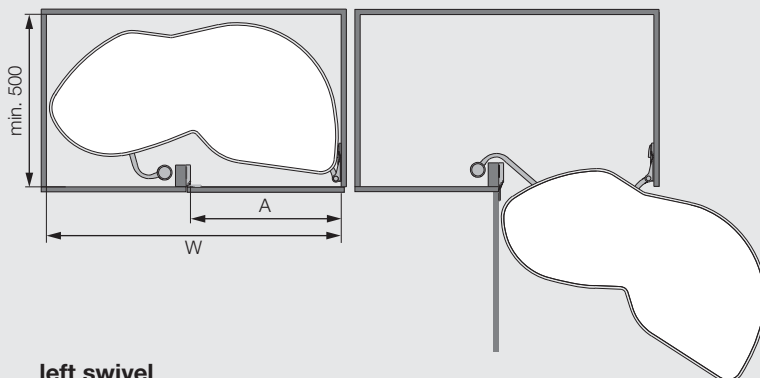


LeMans

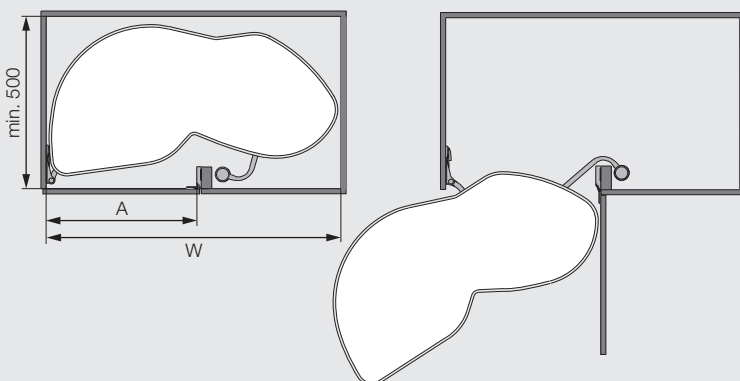
Features and Benefits:

- Trays extend completely out of the unit
- Separately usable trays for optimum use
- For corner units with 45, 50 and 60 cm doors
- Also available as highboard version
- Awarded the “red dot design award 2005”
- Load capacity per tray: 20 kg
- LGA-certified

right swivel



left swivel



Set ARENA Style

All components in brilliant white;

trays ARENA Style: gallery bright chrome, bottom “Ice White” with AntiSlip Coating

inside cabinet height (mm)	number of trays	inside cabinet dimensions	inside cabinet dimensions	inside cabinet dimensions
		A=411-418, W>860	A=461-468, W>960	A=561-568, W>960
		set no.	set no.	set no.
600-750	2 – right swivel	541.33.680	541.33.682	541.33.684
720-900	2 – right swivel	541.33.686	541.33.688	541.33.690
fix 1250	4 – right swivel	541.33.692	541.33.694	541.33.696
600-750	2 – left swivel	541.33.681	541.33.683	541.33.685
720-900	2 – left swivel	541.33.687	541.33.689	541.33.691
fix 1250	4 – left swivel	541.33.693	541.33.695	541.33.697

Option hinge damper set 541.33.900



Set ARENA Classic

All components in silver;

trays ARENA Classic: gallery bright chrome, bottom “Standard White” with AntiSlip Coating

inside cabinet height (mm)	number of trays	inside cabinet dimensions	inside cabinet dimensions	inside cabinet dimensions
		A=411-418, W>860	A=461-468, W>960	A=561-568, W>960
		set no.	set no.	set no.
600-750	2 – right swivel	541.33.280	541.33.282	541.33.284
720-900	2 – right swivel	541.33.286	541.33.288	541.33.290
fix 1250	4 – right swivel	541.33.292	541.33.294	541.33.296
600-750	2 – left swivel	541.33.281	541.33.283	541.33.285
720-900	2 – left swivel	541.33.287	541.33.289	541.33.291
fix 1250	4 – left swivel	541.33.293	541.33.295	541.33.297

Option hinge damper set 541.33.900



Set components complete with mounting and drilling template

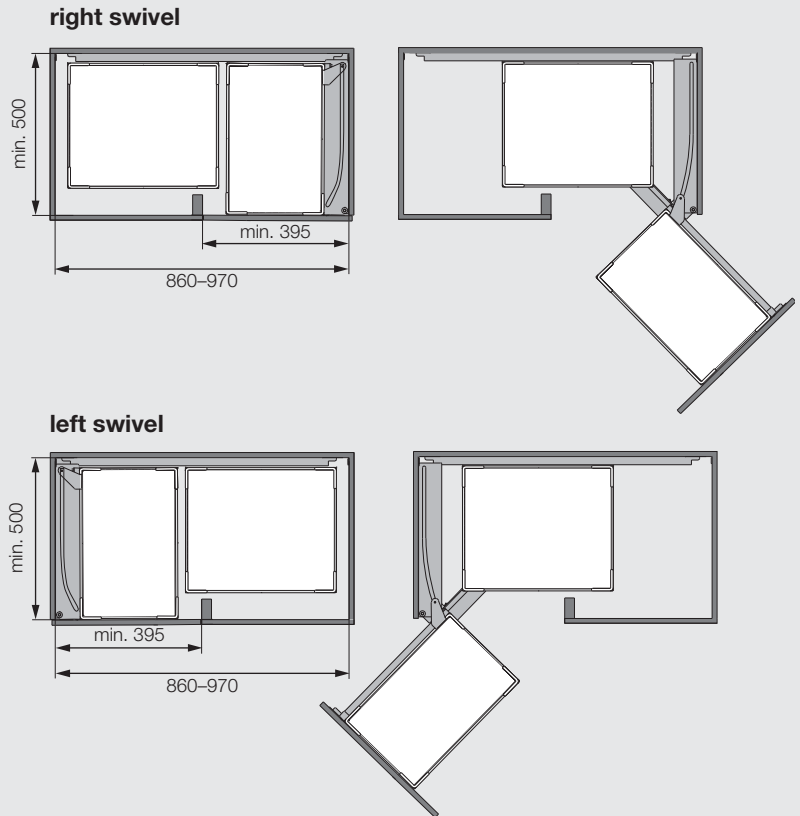
Max. load capacity per shelf = 20 kg



MagicCorner

Features and Benefits:

- Usable in 90 and 100 cm wide units
- Load capacity:
front pull-out 14 kg, corner pull-out 18 kg
- Precisely defined sequence of movements
- Toolless width adjustment to the particular internal dimensions of the unit
- Toolless front adjustment
- Toolless installation of front panel
- Minimum internal cabinet height = 540 mm
- Minimum door width = 450 mm



Set ARENA Style

All components in brilliant white; trays ARENA Style: gallery bright chrome, bottom "Ice White" with AntiSlip Coating

Alignment	number of trays	set no.
swivels right	2+2	546.17.602
swivels left	2+2	546.17.603
	dimensions of trays	
	frontside:	305 x 470 x 88
	backside:	390 x 470 x 88



Set ARENA Classic

All components in silver; trays ARENA Classic: gallery bright chrome, bottom "Standard White" with AntiSlip Coating

Alignment	number of trays	set no.
swivels right	2+2	546.17.306
swivels left	2+2	546.17.307
	dimensions of trays	
	frontside:	305 x 470 x 88
	backside:	390 x 470 x 88



Set Wire Baskets

All components in silver;
baskets: bright chrome

Alignment	number of baskets	set no.
swivels right	2+2	546.17.304
swivels left	2+2	546.17.305
	dimensions of baskets	
	frontside:	305 x 470 x 85
	backside:	390 x 470 x 85

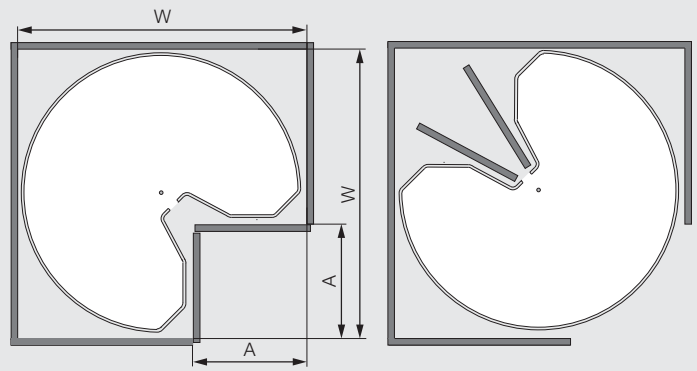


Set components complete with pull-out and trays/baskets
Incl. damping system SoftStopp, inside cabinet height min. 540 mm
Set components complete with mounting template
Max. load capacity per rear shelf = 9 kg
Max. load capacity per front shelf = 7 kg



Features and Benefits:

- Extremely harmonious movement
- Gently gliding closing movement
- Toolless adjustment of closing velocity
- “SoftStoppPlus” damper standard
- Height-adjustable range 200 mm
- Clip-on front bracket
- Continuously adjustable shelves
- Third shelf can be fitted retrospectively
- Load capacity: 50 kg
- Inside height 660–860 mm
- LGA-certified



Cabinet Dimension

(mm)	800	900
W	min. 750	min. 850
A	221–239	321–339

Set ARENA Style

All components in brilliant white; trays ARENA Style: gallery bright chrome, bottom “Ice White” with AntiSlip Coating

	800	900
numbers of trays	set no.	set no.
2	541.46.632	541.46.633
dimensions of trays	Ø 710	Ø 810

Set ARENA Classic

All components in silver; trays ARENA Classic: gallery bright chrome, bottom “Standard White” with AntiSlip Coating

	800	900
numbers of trays	set no.	set no.
2	541.46.232	541.46.233
dimensions of trays	Ø 710	Ø 810

Set Wire Baskets

All components in silver; baskets: bright chrome

	800	900
numbers of baskets	set no.	set no.
2	541.46.222	541.46.223
dimensions of baskets	Ø 700	Ø 800

Set components complete with corner unit (incl. 4 front panel connectors, SoftStopp Plus, top metal brackets and trays/baskets, adjustable closing speed) inside height 660–860 mm
Max. load capacity per shelf = 25 kg

Accessories

For use with Revo 90 revolving fitting

	Cat.No.
Lid rack	541.46.970

Divider

For use with Revo 90 revolving fitting

size	dimensions	Cat.No.
800	320 x 320 x 150	541.46.968
900	370 x 370 x 150	541.46.969



Lid rack



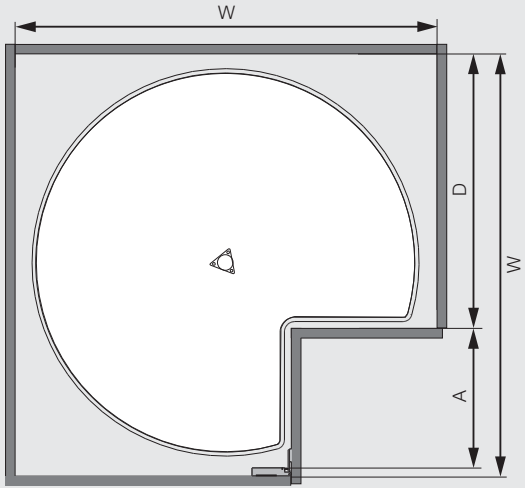
Divider



Carousel 270

Cabinet Dimensions

(mm)	800	900
W	min. 750	min. 860
D	min. 480	min. 510
A	max. 240	max. 330



Set ARENA Style

All components in bright chrome; trays ARENA Style: gallery bright chrome, bottom "Ice White" with AntiSlip Coating

	cabinet size	800	900
Axle, height adjustable (mm)	number of trays	Cat No.	Cat No.
685 - 735	2	542.31.640	542.31.650
	dim. of trays	Ø 700	Ø 820



Set ARENA Classic

All components in bright chrome; trays ARENA Classic: gallery bright chrome, bottom "Standard White" with AntiSlip Coating

	cabinet size	800	900
Axle, height adjustable (mm)	number of trays	Cat No.	Cat No.
685 - 735	2	542.31.240	542.31.250
	dim. of trays	Ø 700	Ø 820



Set Wire Baskets

All components in bright chrome; baskets: bright chrome

	cabinet size	800	900
Axle, height adjustable (mm)	number of trays	Cat No.	Cat No.
685 - 735	2	542.31.210	542.31.230
	dim. of trays	Ø 700	Ø 820



Set components complete with height adjustable axle and trays/baskets
Max. load capacity per shelf = 25 kg

Accessories

For use with Carousel 270 revolving fitting

	Cat.No.
Lid rack	541.46.970

Divider

For use with Carousel 270 revolving fitting

size	dimensions	Cat.No.
800	320 x 320 x 150	541.46.968
900	370 x 370 x 150	541.46.969

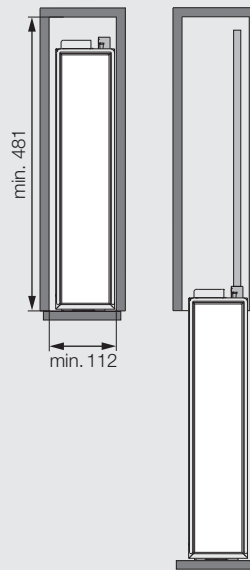




No. 15

Features and Benefits:

- Bottom mounted guide allows maximum use of storage space
- For inside cabinet widths from 112 mm
- Choice of two and three tiers
- "SoftStopp" damper as standard
- Load capacity: 12 kg



Set Pull-Out Style

All components in bright chrome

inside cabinet height (mm)		inside cabinet width min. 112	
		number of trays	set no.
min. 540	2-tier	2	545.61.028
min. 755	3-tier	3	545.61.029
min. 590	Towel Rail	1	545.61.063
min. 590	Baking Tray	1	545.61.073
		dimensions of trays	465 x 104 x 37
Option: Divider "Style"			545.61.252



Set Pull-Out Classic

All components in bright chrome

inside cabinet height (mm)		inside cabinet width min. 112	
		number of trays	set no.
min. 540	2-tier	2	545.61.228
min. 755	3-tier	3	545.61.229
min. 590	Towel Rail	1	545.61.263
min. 590	Baking Tray	1	545.61.273
		dimensions of trays	465 x 104 x 37
Option: Divider "Classic"			545.61.251



Set components complete with metal trays and full-extension runners
 Incl. damping system SoftStopp
 Max. load capacity per shelf = 6 kg



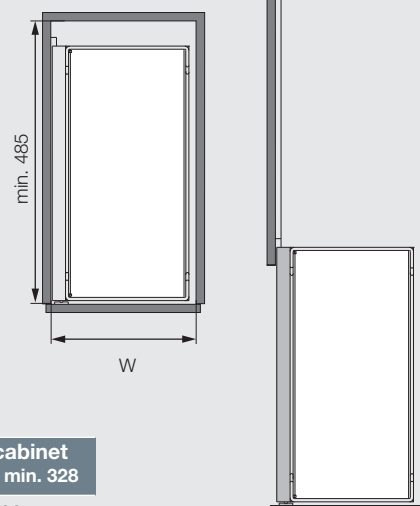
Base Unit Pull-Out COMFORT



Features and Benefits:

- Attractive appearance through concealed runners and front brackets
- Full extension with perfect running characteristics and high lateral stability
- Front adjustment from the inside always accessible
- “SoftStopp Plus” damper standard
- Load capacity: 24 kg

right version shown



Set ARENA Style

All components in brilliant white; trays ARENA Style: gallery bright chrome, bottom “Ice White” with AntiSlip Coating

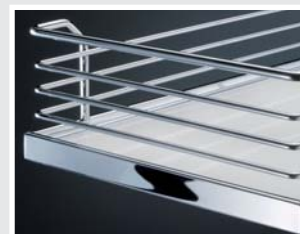
inside cabinet height (mm)		inside cabinet width (W) min. 193	inside cabinet width (W) min. 261	inside cabinet width (W) min. 283
version	number of baskets	set no.	set no.	set no.
min. 497 right	2	545.59.502	545.59.532	545.59.562
left	2	545.59.503	545.59.533	545.59.563
min. 599 right	2	545.59.512	545.59.542	545.59.572
left	2	545.59.513	545.59.543	545.59.573
min. 663 right	3	545.59.522	545.59.552	545.59.582
left	3	545.59.523	545.59.553	545.59.583
dimensions of baskets		160 x 470 x 88	228 x 470 x 88	295 x 470 x 88



Set ARENA Classic

All components in silver; trays ARENA Classic: gallery bright chrome, bottom “Standard White” with AntiSlip Coating

inside cabinet height (mm)		inside cabinet width (W) min. 193	inside cabinet width (W) min. 261	inside cabinet width (W) min. 328
version	number of baskets	set no.	set no.	set no.
min. 497 right	2	545.59.102	545.59.132	545.59.162
left	2	545.59.103	545.59.133	545.59.163
min. 599 right	2	545.59.112	545.59.142	545.59.172
left	2	545.59.113	545.59.143	545.59.173
min. 663 right	3	545.59.122	545.59.152	545.59.182
left	3	545.59.123	545.59.153	545.59.183
dimensions of baskets		160 x 470 x 88	228 x 470 x 88	295 x 470 x 88



Set Wire Baskets

All components in silver; baskets: bright chrome

inside cabinet height (mm)		inside cabinet width (W) min. 193	inside cabinet width (W) min. 243	inside cabinet width (W) min. 353
version	number of baskets	set no.	set no.	set no.
min. 497 right	2	545.59.100	545.59.130	545.59.160
left	2	545.59.101	545.59.131	545.59.161
min. 599 right	2	545.59.110	545.59.140	545.59.170
left	2	545.59.111	545.59.141	545.59.171
min. 663 right	3	545.59.120	545.59.150	545.59.180
left	3	545.59.121	545.59.151	545.59.181
dimensions of baskets		160 x 470 x 75	210 x 470 x 75	320 x 470 x 75



Bread and bottle basket-set for COMFORT

inside cabinet height (mm)		inside cabinet width (W) min. 243
version	number of baskets	set no.
min. 599 right	3	545.59.289
		(consisting of: 1 bottle rack, 2 baskets with 1 bag for bread) max. dimensions of baskets 210 x 470 x 75

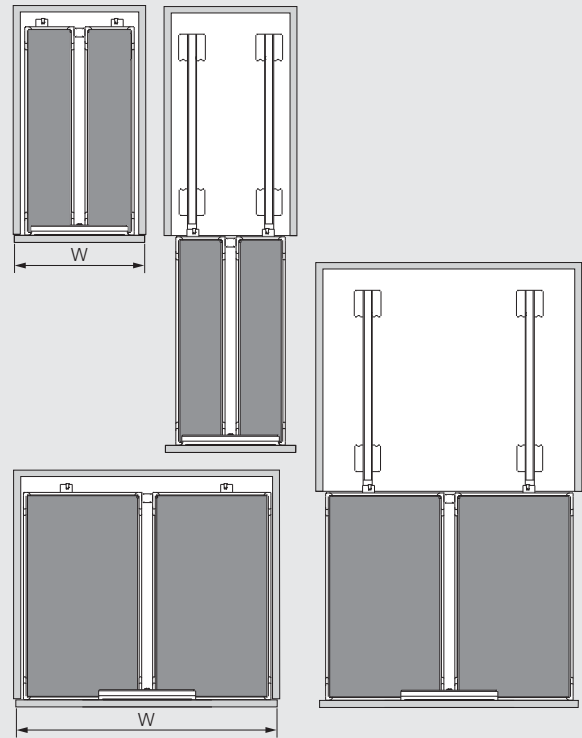
Set components complete with full-extension frame, front brackets and trays/baskets
Incl. damping system SoftStopp
Max. load capacity per set = 24 kg



Dispensa Junior

Features and Benefits:

- Practical “mini pantry pull-out” for base cabinets
- Height-adjustable baskets and trays
- Easy to reach the contents from above or from either side
- Storage organization can be personalized
- Choice of ARENA Style or ARENA Classic trays and all-metal baskets
- Two fittings variants for base cabinets 30 to 60 cm wide
- Easy assembly, attaches to cabinet bottom panel
- Full extension pull-out with SoftStopp damping
- Load capacity: 40 kg
- Min. inside cabinet height = 630 mm



Set ARENA Style

All components in brilliant white; trays ARENA Style:
gallery bright chrome, bottom “Ice White” with AntiSlip Coating

		inside cabinet width (W) min. 260	inside cabinet width (W) min. 360	inside cabinet width (W) min. 410	inside cabinet width (W) min. 460	inside cabinet width (W) min. 560
	number of trays	set no.	set no.	set no.	set no.	set no.
	3+1	545.55.641	545.55.642	545.55.643	545.55.644	545.55.645
dimensions	clip on tray	110 x 465 x 75	160 x 465 x 75	185 x 470 x 75	210 x 470 x 75	260 x 470 x 75
dimensions	bottom tray	250 x 465 x 97	350 x 465 x 97	400 x 465 x 97	450 x 465 x 97	550 x 465 x 97

Set ARENA Classic

All components in silver; trays ARENA Classic:
gallery bright chrome, bottom “Standard White” with AntiSlip Coating

		inside cabinet width (W) min. 260	inside cabinet width (W) min. 360	inside cabinet width (W) min. 410	inside cabinet width (W) min. 460	inside cabinet width (W) min. 560
	number of trays	set no.	set no.	set no.	set no.	set no.
	3+1	545.55.321	545.55.322	545.55.323	545.55.324	545.55.325
dimensions	clip on tray	110 x 470 x 88	160 x 470 x 88	185 x 470 x 88	210 x 470 x 88	260 x 470 x 88
dimensions	bottom tray	250 x 465 x 112	350 x 465 x 112	400 x 465 x 112	450 x 465 x 112	550 x 465 x 112

special version with 2 ARENA Classic trays, 1 bottom tray ARENA Classic and 1 bottle rack (only for 560 W) 545.55.335

Set Wire Baskets

All components in silver;
wire baskets: bright chrome

		inside cabinet width (W) min. 260	inside cabinet width (W) min. 360	inside cabinet width (W) min. 410	inside cabinet width (W) min. 460	inside cabinet width (W) min. 560
	number of baskets	set no.	set no.	set no.	set no.	set no.
	3+1	545.55.301	545.55.302	545.55.303	545.55.304	545.55.305
dimensions	clip on basket	110 x 470 x 75	160 x 470 x 75	185 x 470 x 75	210 x 470 x 75	260 x 470 x 75
dimensions	bottom basket	250 x 465 x 110	350 x 465 x 110	400 x 465 x 110	450 x 465 x 110	550 x 465 x 110

special version with 2 wire baskets, 1 bottom wire basket and 1 bottle rack (only for 560 W) 545.55.315

Set components complete with pull-out frame, with damper, front brackets and trays/baskets (3 clip-on trays/baskets + 1 bottom tray/baskets) and drilling template

Max. load capacity of the frame = 40 kg

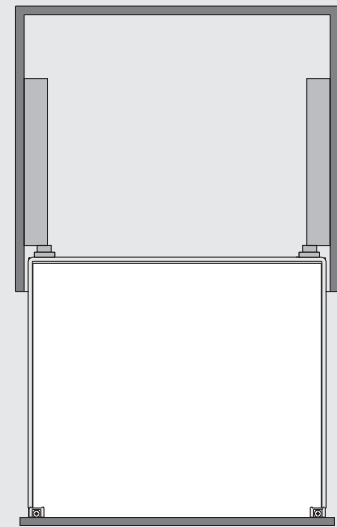
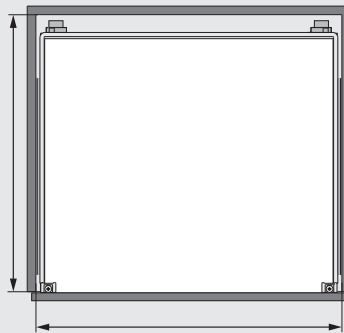
Min. cabinet height = 630 mm



Front Pull-Outs

Features and Benefits:

- For convenient use of base units
- Concealed runners with SoftStopp
- Load capacity per pull-out: 30 kg



Set ARENA Classic

Trays ARENA Classic: gallery bright chrome, bottom "Standard White" with AntiSlip Coating

D _{min} = 500 mm	inside cabinet width (W) 362–368	inside cabinet width (W) 412–418	inside cabinet width (W) 462–468	inside cabinet width (W) 562–568
number of trays	set no.	set no.	set no.	set no.
1	540.24.293	540.24.294	540.24.295	540.24.297
dimensions of trays	353 x 491 x 165	403 x 491 x 165	453 x 491 x 165	553 x 491 x 165



Set Wire Baskets

Wire baskets: bright chrome

D _{min} = 510 mm	inside cabinet width (W) 362–368	inside cabinet width (W) 412–418	inside cabinet width (W) 462–468	inside cabinet width (W) 562–568
number of baskets	set no.	set no.	set no.	set no.
1	540.24.283	540.24.284	540.24.285	540.24.287
dimensions of baskets	345 x 503 x 140	395 x 503 x 140	445 x 503 x 140	545 x 503 x 140



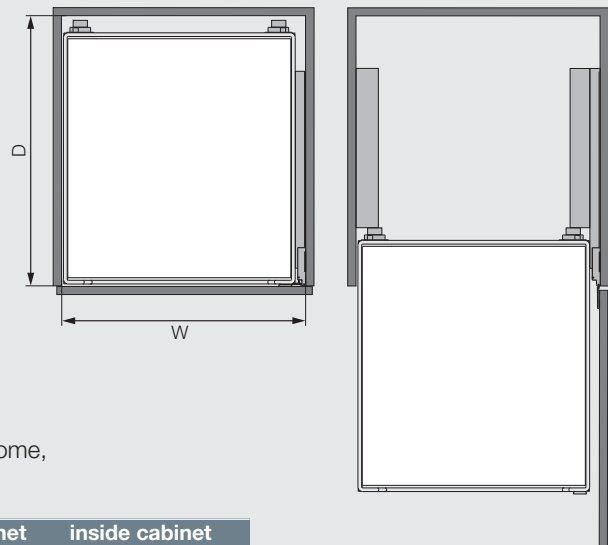
Set components complete with runner incl. damper, front panel connector and basket/tray
Max. load capacity per basket/tray = 30 kg



Internal Pull-Outs

Features and Benefits:

- For convenient use of base units
- Concealed runners with SoftStopp
- Load capacity per pull-out: 30 kg
- Spacer required if mounting behind a hinged door



Set ARENA Classic

All components in silver; trays ARENA Classic: gallery bright chrome, bottom "Standard White" with AntiSlip Coating.

For pull-out D ^{min} = 500 mm	inside cabinet width (W) 362-368	inside cabinet width (W) 412-418	inside cabinet width (W) 462-468	inside cabinet width (W) 562-568
	set no.	set no.	set no.	set no.
	540.25.293	540.25.294	540.25.295	540.25.297
dimensions of tray	352 x 488 x 125	402 x 488 x 125	452 x 488 x 125	552 x 488 x 125
For mounting behind a hinged door D ^{min} = 500 mm	inside cabinet width (W) 362-368	inside cabinet width (W) 412-418	inside cabinet width (W) 462-468	inside cabinet width (W) 562-568
dimensions of tray	-	540.27.294	540.27.295	540.27.297
	-	377 x 488 x 125	427 x 488 x 125	527 x 488 x 125



Set Wire Baskets

All components in silver; wire baskets: bright chrome

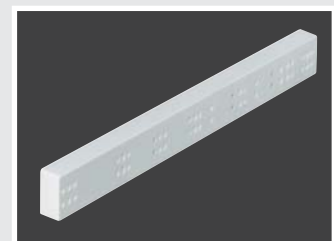
For pull-out D ^{min} = 500 mm	inside cabinet width (W) 362-368	inside cabinet width (W) 412-418	inside cabinet width (W) 462-468	inside cabinet width (W) 562-568
	set no.	set no.	set no.	set no.
	540.25.283	540.25.284	540.25.285	540.25.287
dimensions of basket	352 x 488 x 125	402 x 488 x 125	452 x 488 x 125	552 x 488 x 125
For mounting behind a hinged door D ^{min} = 500 mm	inside cabinet width (W) 362-368	inside cabinet width (W) 412-418	inside cabinet width (W) 462-468	inside cabinet width (W) 562-568
dimensions of basket	-	540.27.284	540.27.285	540.27.287
	-	377 x 488 x 125	427 x 488 x 125	527 x 488 x 125



Spacers

To allow 25 mm clearance on hinge side

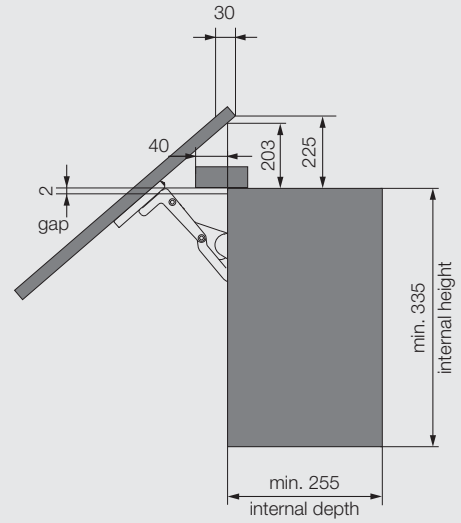
Finish	Cat.No.
White	540.24.927
Chrome-plated	540.24.922



Softlift

Features and Benefits:

- Automatic opening as far as comfortably reachable upper stopping point
- Also usable with cabinets with cornice profile





Soft-Lift fitting

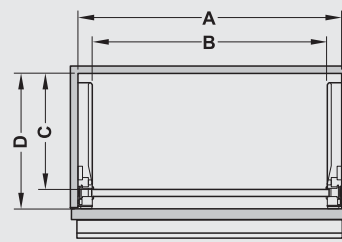
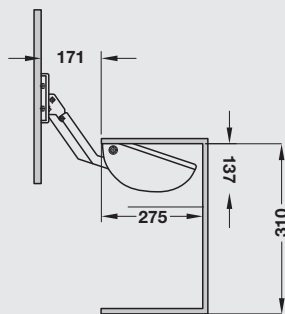
All components in silver; width customizable
by cutting the aluminium connection rod

height of front (mm)		inside cabinet width max. 570	inside cabinet width max. 870	inside cabinet width max. 1170	inside cabinet width max. 1470
	max. front weight	article no.	article no.	article no.	article no.
400-550	9.0 kg	372.71.901			
550-720	9.0 kg	372.71.902			
400-550	9.0 kg		372.71.911		
550-720	11.0 kg		372.71.912		
400-600	11.0 kg			372.71.921	
600-720	14.0 kg			372.71.922	
400-500	13.0 kg				372.71.931
500-600	13.0 kg				372.71.932
600-720	15.0 kg				372.71.933

Article complete with front fixing brackets, fitting and gas struts (with cover)



EWIVA



$$B = A - 62 \text{ mm}, C = D - 43 \text{ mm}$$

Complete Set

All components in silver;
Fixed width to suit external cabinet width of 600 mm

inside cabinet height (mm)	inside cabinet width fixed 562 - 568 mm
	front weight
min. 310 mm	3.3 to 6.6 kg
	Cat No.
	372.43.910

Lift Fitting

All components in silver;
Width customisable by cutting the aluminium connection rod.
Must order "powerpack" separately

inside cabinet height (mm)	max. front weight	inside cabinet (w) 562 - 868 mm	inside cabinet (w) 862 - 1168 mm	inside cabinet (w) 1162 - 1468 mm
		Cat No.	Cat No.	Cat No.
min. 310 mm	refer to powerpack	372.50.921	372.50.922	372.50.923

Features and Benefits:

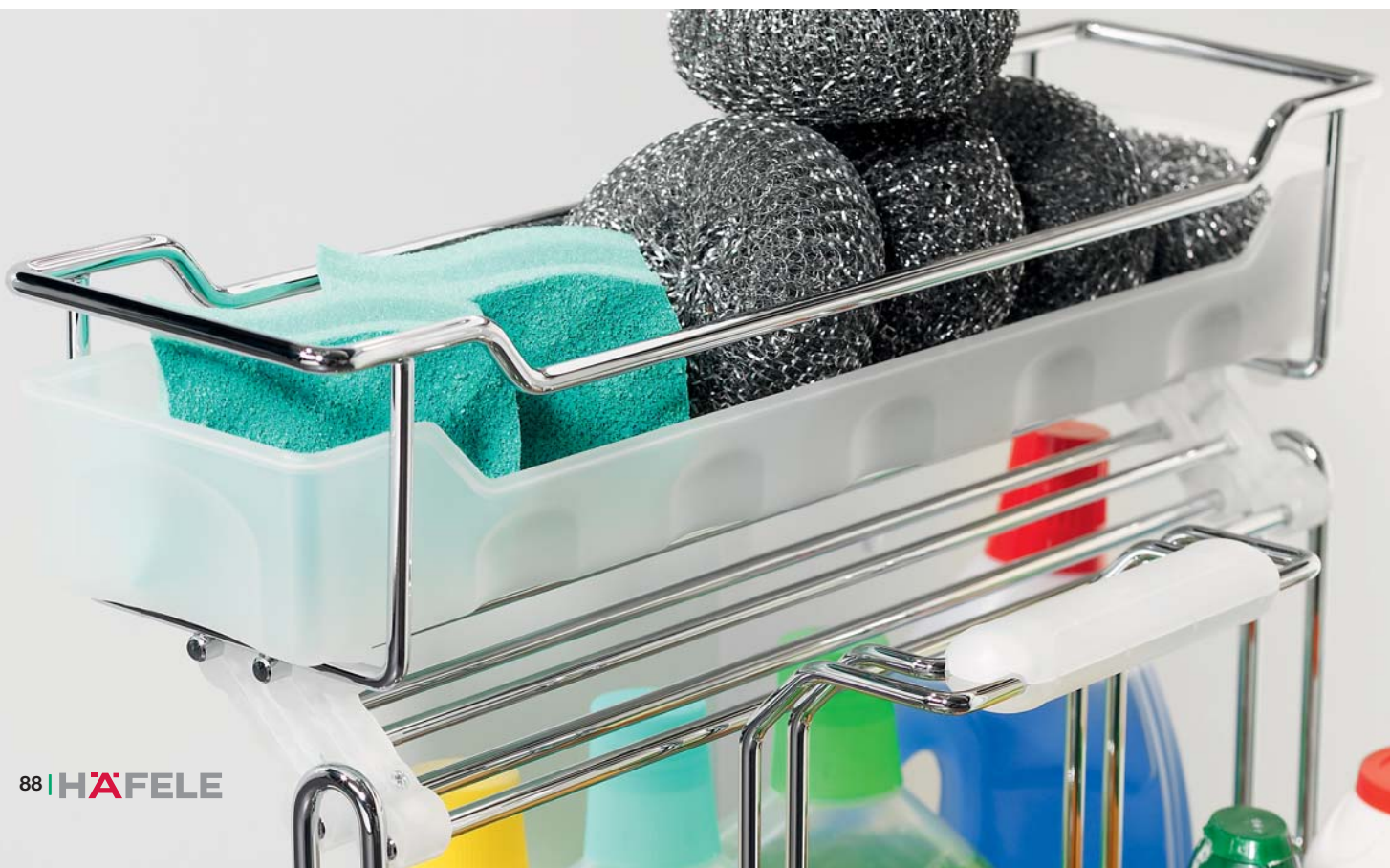
- Use in pantry units, highboards and wall units
- Damping function in closing and opening directions
- One-arm appearance with finger jamming protection
- Clip-on front
- Toolless front adjustment
- Clip-on power pack with spiral compression spring

Powerpack

All components in silver;
Suitable for different door widths

door weight kg	Cat No.
2.4 to 4.8 kg, including handle	372.50.531
3.3 to 6.6 kg, including handle	372.50.532
5.3 to 8.0 kg, including handle	372.50.533

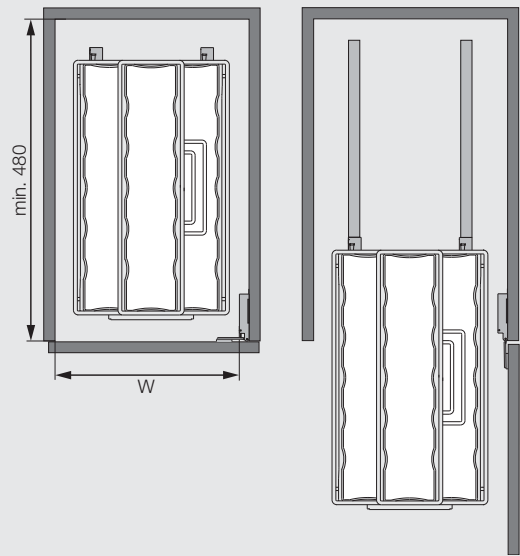




Portero

Features and Benefits:

- Organises the storage space in the under sink unit
- Choice of three sets with different functional fittings
- One base for all unit widths and use variants – also in base units with waste trap
- Easy attachment to cabinet base – also retrospectively in the fully assembled unit
- Assembly stencil included in set
- Integrated “SoftStopp” damper
- Removable basket
- Swivel basket provides extra storage space
- Acid-resistant and dishwasher-safe plastic trays



Cleaning-Agent pull-out PORTERO Set I

All components silver/bright chrome

inside cabinet height (mm)	no. of baskets	cabinet opening width (W) min. 180	set no.
min. 400	1		545.48.260



Cleaning-Agent pull-out PORTERO Set II

All components silver/bright chrome

inside cabinet height (mm)	no. of baskets	cabinet opening width (W) min. 290	set no.
min. 400	2		545.48.261
	1 portable basket and 1 basket without handle		



Cleaning-Agent pull-out PORTERO Set III

All components silver/bright chrome

inside cabinet height (mm)	no. of baskets	cabinet opening width (W) min. 290	set no.
min. 511	3		545.48.262
	1 portable basket, 1 basket without handle and 1 swivel basket		



Set components complete with system base, runner with SoftStopp, dividers and drilling template

HÄFELE AUSTRALIA PTY. LTD.

STATE OFFICES & DESIGN CENTRES

Victoria - Head Office -

8 Monterey Road, (P.O. Box 1066)
Dandenong VIC 3175
Telephone: (03) 9212 2000
Fax: (03) 9212 2001
E-mail: info@hafele.com.au

New South Wales

10 Forsyth Close,
Wetherill Park NSW 2164
Telephone: (02) 8788 2200
Fax: (02) 8788 2201
E-mail: nsw@hafele.com.au

Australian Capital Territory

1/88 Newcastle Street,
Fyshwick ACT 2609
Telephone: (02) 6202 2800
Fax: (02) 6228 1418
E-mail: act@hafele.com.au

South Australia

21 Chesser Street,
Adelaide SA 5000
Telephone: (08) 8232 9933
Fax: (08) 8232 9977
E-mail: sa@hafele.com.au

Tasmania

262 York Street,
Launceston TAS 7250
Telephone: (03) 6331 7106
Fax: (03) 6334 6414
E-mail: tas@hafele.com.au

Melbourne Design Centre

Lvl 1, 75-77 Flinders Lane,
Melbourne VIC 3000
Telephone: (03) 9212 2000
Fax: (03) 9652 3701
E-mail: info@hafele.com.au

Sydney Design Centre

115 Flinders Street,
Surry Hills NSW 2010
Telephone: (02) 8788 2200
Fax: (02) 8302 2101
E-mail: nsw@hafele.com.au

Queensland

12 Selhurst Street,
Coopers Plains QLD 4108
Telephone: (07) 3344 1533
Fax: (07) 3344 1770
E-mail: qld@hafele.com.au

Western Australia/N.T

29-33 Juna Drive,
Malaga WA 6090
Telephone: (08) 9249 3833
Fax: (08) 9249 3328
E-mail: wa@hafele.com.au

Hobart Design Centre

309 Liverpool Street,
Hobart TAS 7000
Telephone: (03) 6331 7106
Fax: (03) 6334 6414
E-mail: tas@hafele.com.au

Newcastle Design Centre

Unit 1, 47 Bolton Street,
Newcastle NSW 2300
Telephone: (02) 8788 2200
Fax: (02) 4921 0901
E-mail: nsw@hafele.com.au

Brisbane Design Centre

1 Breakfast Creek Road,
Newstead QLD 4006
Telephone: (07) 3344 1533
Fax: (07) 3253 3701
E-mail: qld@hafele.com.au

Perth Design Centre

Ground Floor, 105 St Georges Ter.
Perth WA 6000
Telephone: (08) 9249 3833
Fax: (08) 9249 3328
E-mail: wa@hafele.com.au

For all customers in country regions
call 1300 659 728

Opening Late 2009

HÄFELE NEW ZEALAND LTD.

OFFICES & DESIGN CENTRES

Eastern Design Centre

16 Accent Drive,
East Tamaki, Auckland
Telephone: (09) 274 2040
Fax: (09) 274 2041
E-mail: info@hafele.co.nz

Wellington Design Centre

The Wool Store, Level 1
262 Thorndon Quay, Wellington
Telephone: (04) 472 0294
Fax: (04) 472 0295
E-mail: wellington@hafele.co.nz

Christchurch Design Centre

5 Wigram Close
Sockburn, Christchurch
Telephone: (03) 343 8200
Fax: (03) 343 8201
E-mail: christchurch@hafele.co.nz

Auckland Design Centre

20 Beaumont Street
St. Mary's Bay, Auckland
Telephone: (09) 274 2530
Fax: (09) 274 2531
E-mail: architectural@hafele.co.nz

Freephone 0800 4 HAFELE

HÄFELE

www.hafele.com

This catalogue is for the use of the recipient only. It remains in all respects the property of Häfele. Reproduction of this brochure in whole or in part, or the reproduction of the illustrations as well as the copying of the layout, is strictly prohibited. All measurements given in this publication are not binding. Rights for design improvements reserved. No responsibility for typographical or other errors occurring in the catalogue production. All deliveries made corresponding to Häfele sales conditions. Häfele reserves the right to adjust prices as may be deemed necessary.

2009. Copyright by Häfele. All rights reserved. Printed in Australia.

732.KS.CAT